

The Next Revolution in Void Fill Paper Packaging

- Void Fill Material Enhanced with Cushioning Support
- Waist-High Front and Back Loading
- Three Speed Settings
- Integrated Knife and Clutch Mechanism
- Easy Clipping Disposal



FasFil™ Paper Void Fill System

Maximum Speed with Minimal Maintenance and Manpower

Next Generation Paper Packaging

For years, paper void fill has made few significant advancements. Until now... Introducing the FasFil™ Paper Void Fill System from Sealed Air, an innovative, game-changing solution for packing operations of all sizes. Capitalizing on a variety of proprietary features, the FasFil™ system is intuitive and efficient, requiring minimal training and maintenance.



A High-Speed System for High-Throughput Operations

The FasFil™ system delivers our exclusive crimped paper at three different speeds, to best fit your packaging environment. The crimping process not only shapes the paper but provides additional light-duty cushioning properties. Paper pads can be produced continuously at variable lengths using a foot pedal.



Strong Environmental Benefits

TigerFill™ material is made from 100% recycled paper, and the lofted, crimped design minimizes waste by reducing the amount of packaging material needed to provide superior protection. TigerFill™ paper material is easily recycled in mixed paper streams.

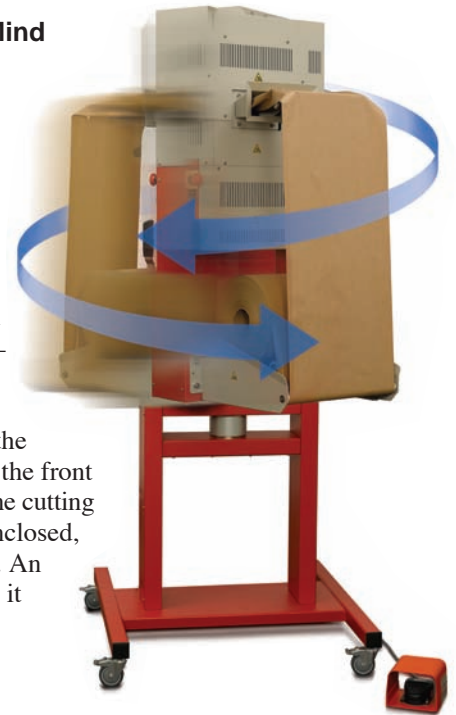
Unique Custom Options and Features

The FasFil™ system supports two material roll widths (17" and 21") which can be easily interchanged. TigerFill™ paper material is also available in various roll lengths and basis weights. The system height is available in three options to best align with your existing conveyor system.

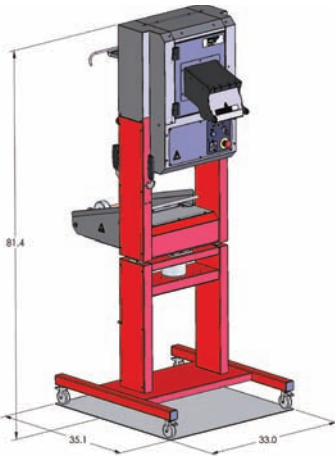


Designed With You In Mind

The FasFil™ system was designed to create a fast and easy packaging experience, which includes reducing stress and strain on the operator. Rolls of TigerFill™ paper are loaded on the system at waist height, eliminating awkward lifting or bending. A friction-free swivel allows the system to effortlessly rotate over a conveyor, allowing the operator to load paper from the front or the back of the system. The cutting mechanism is completely enclosed, providing a safe experience. An internal clipping tray makes it easy to clean the system in mere seconds.



Specifications

	<p>Electrical: 110-120 V ~ Single Phase 10A A50/60 Hz</p> <p>Weight (without roll): 380 lbs</p> <p>Overall Size (L x W x H): Small: 35.1" x 33" x 72.9" Medium: 35.1" x 33" x 76.4" Tall: 35.1" x 33" x 81.4"</p>
--	--



Protective Packaging
301 Mayhill Street
Saddle Brook, NJ 07663-5303
800-648-9093 Fax: 201-712-7070
www.fasfilssystem.com

Our Products Protect Your Products®

Distributed By:



CORAL
PACKAGING
AND
JANITORIAL
SOLUTIONS

T - 954-973-3833 • F - 954-973-5943
WWW.CORALPACK.COM • POMPANO BEACH, FL

Corporate Office: Sealed Air Corporation (US)
200 Riverfront Boulevard, Elmwood Park, NJ 07407 www.sealedair.com
© Reg. U.S. Pat. and TM Off. © Sealed Air Corporation (US) 2009. All rights reserved. Printed in the U.S.A.
The "9 Dot Logo" and "Sealed Air" are registered trademarks of Sealed Air Corporation (US).

D-194 Rev. 11/09