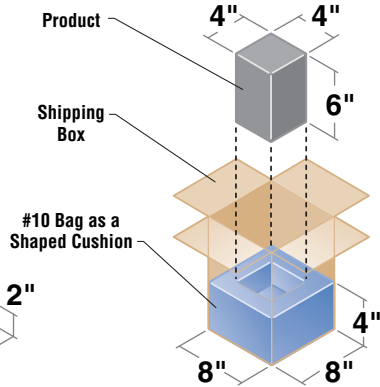
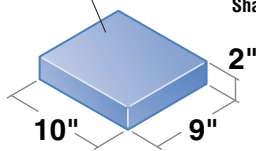


Instapak Quick[®] RT

Foam Packaging - Bag Volumetric Guide

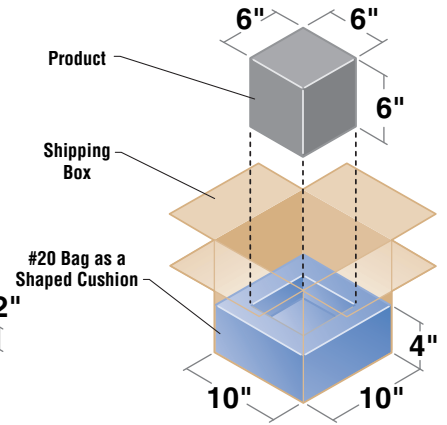
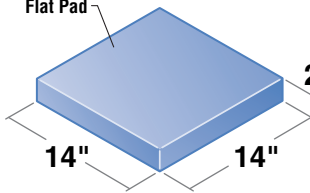
#10 Bag (15" x 18")

#10 Bag as a Flat Pad



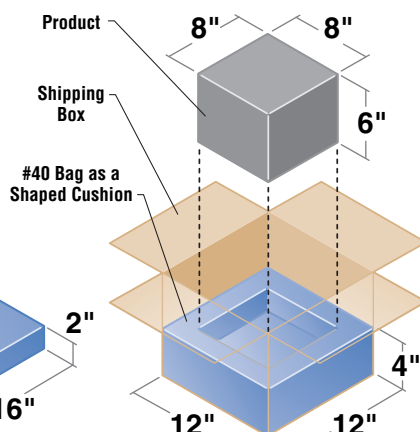
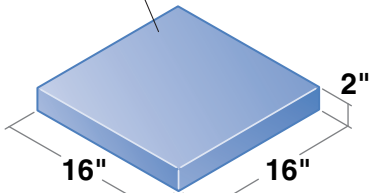
#20 Bag (18" x 18")

#20 Bag as a Flat Pad



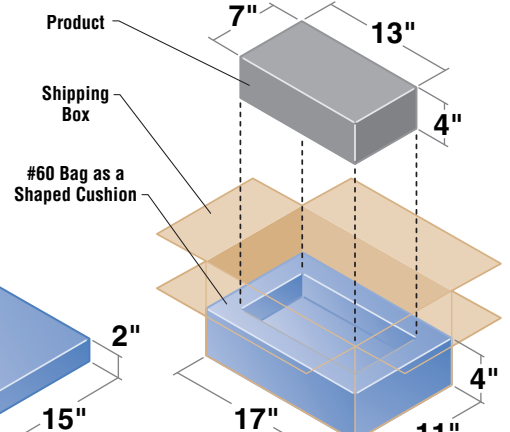
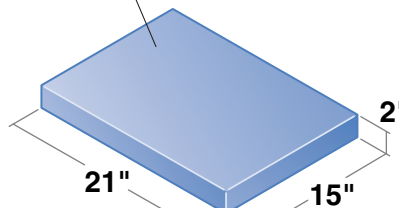
#40 Bag (18" x 24")

#40 Bag as a Flat Pad



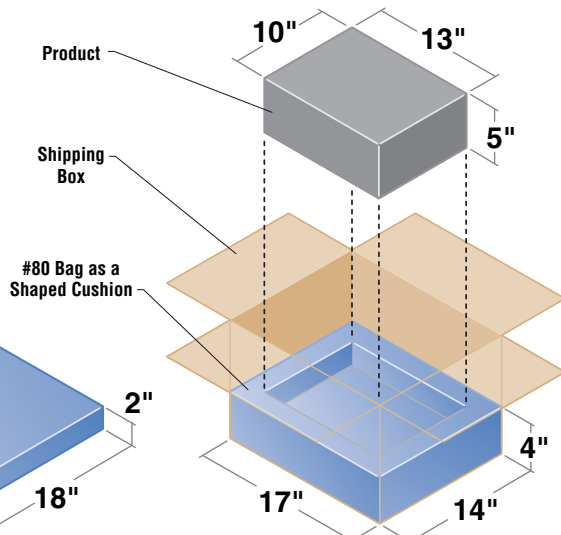
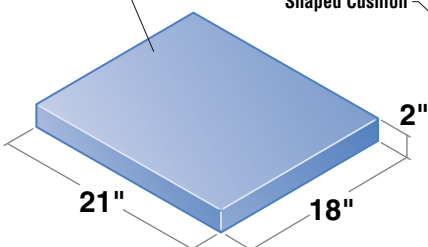
#60 Bag (18" x 24") (25% more foam than #40 bag)

#60 Bag as a Flat Pad



#80 Bag (22" x 27")

#80 Bag as a Flat Pad



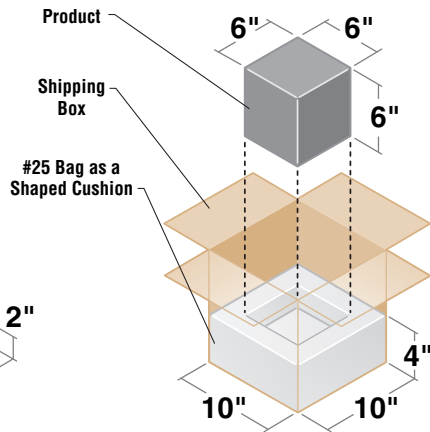
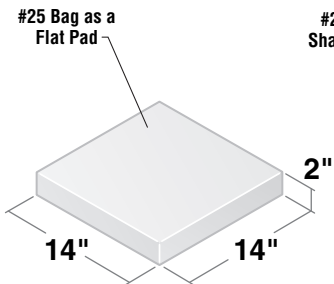
Note: This guide illustrates approximate Instapak Quick[®] RT cushion volumes. These volumes may vary with box size, product size, and packaging technique.

Note: Due to their shape and size, some products may require more than two Instapak Quick[®] RT foam bags for adequate protection. This is a common occurrence when using the foam-in-bag packaging process.

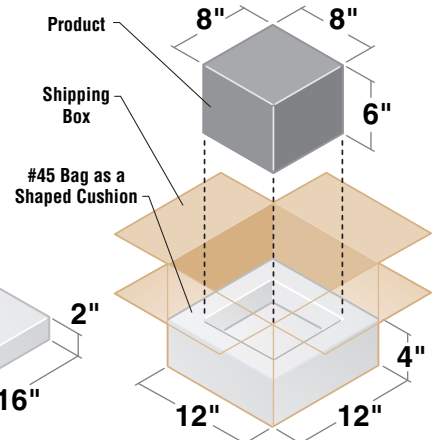
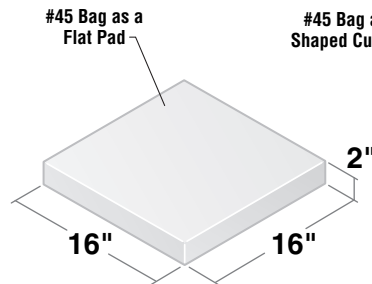
Instapak Quick Tuff® RT

Foam Packaging - Bag Volumetric Guide

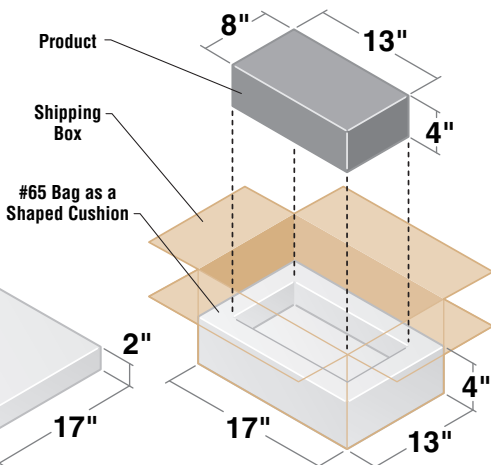
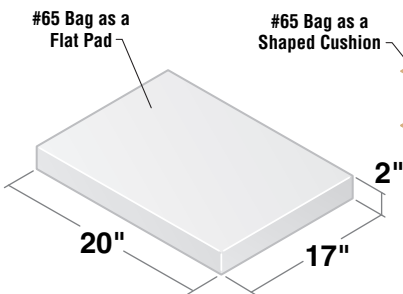
#25 Bag (18" x 16")



#45 Bag (18" x 20")



#65 Bag (22" x 20")



Note: This guide illustrates approximate Instapak Quick Tuff® RT cushion volumes. These volumes may vary with box size, product size, and packaging technique.

Note: Due to their shape and size, some products may require more than two Instapak Quick Tuff® RT foam bags for adequate protection. This is a common occurrence when using the foam-in-bag packaging process.

Instapak Quick® RT and Instapak Quick Tuff® RT foam packaging are fast, flexible, and easy-to-use packaging materials that provide superior protection for your products. Both are ideal for cushioning, blocking and bracing applications, and for producing molded cushions.

This information is provided solely as a guide. Variables including product shape, product fragility and cushioning thickness may impact the performance of the packaging material. The user should test the application to determine the suitability of Instapak Quick® RT and Instapak Quick Tuff® RT foam packaging for the intended use.